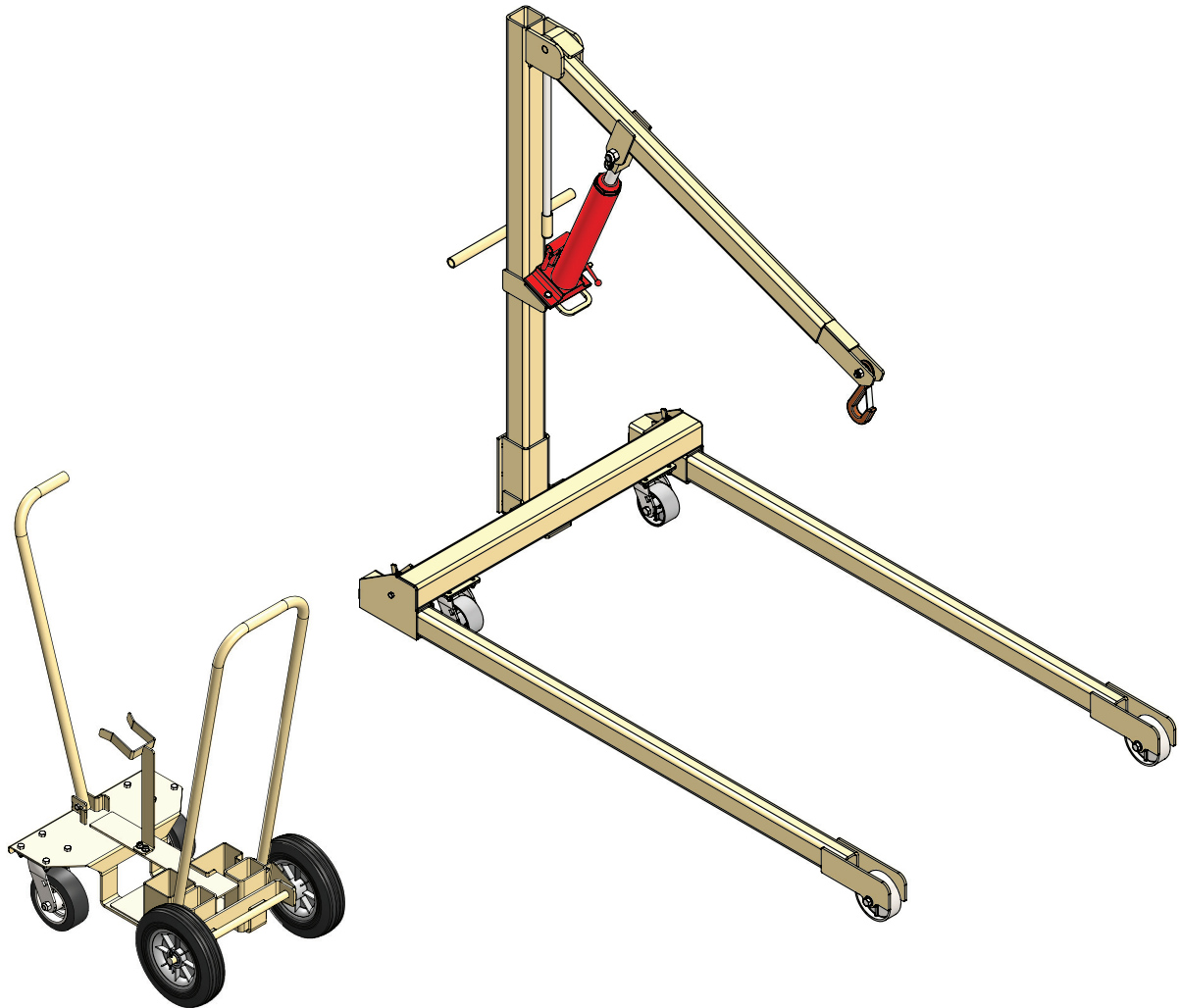


OPERATORS INSTRUCTIONS AND PARTS LIST MANUAL MODEL EH1500



Engine Hoist and Carrier Cart

SKU #

MODEL #

99500

EH1500

**READ AND UNDERSTAND THE OPERATOR'S SAFETY MANUAL THOROUGHLY
BEFORE ATTEMPTING TO OPERATE THIS EQUIPMENT.**

Death or serious injury could occur if this machine is used improperly.

Machine specific Operator's Instruction Manuals are offered at edcoinc.com/customer-support/parts-and-manuals



EQUIPMENT DEVELOPMENT COMPANY, INC.
100 Thomas Johnson Drive, Frederick, MD 21702-4600 USA
Phone: 800-638-3326 or 301-663-1600 • Fax: 800-447-3326 or 301-663-1607
Website: www.edcoinc.com • E-mail: techsupport@edcoinc.com

Printed in USA
KJK ©2022



SAFETY INFORMATION



SAFETY MESSAGES

• Safety Instructions are preceded by a graphic alert symbol of DANGER, WARNING, or CAUTION.



Indicates an imminent hazard which, if not avoided, will result in death or serious injury.



Indicates an imminent hazard which, if not avoided, can result in death or serious injury.



Indicates hazards which, if not avoided, could result in serious injury and or damage to the equipment.

GASOLINE / PROPANE POWERED EQUIPMENT



• Engine exhaust from this product contains chemicals known to the State of California to cause cancer, birth defects or other reproductive harm.



• Tilting a gasoline powered machine fitted with an EPA approved vented charcoal filter gas cap, beyond 20° can cause fuel leakage. If a leak occurs, do not

start or run the engine until the leak is fixed. Eliminate all other ignition sources in the immediate area (no smoking, flares, sparks or flames). Use approved gasoline absorbing material to contain the fuel leakage. Then use clean, non-sparking tools to collect absorbed materials then dispose of these contaminants properly.



• Gasoline is extremely flammable and poisonous. It should only be dispensed in well ventilated areas, and with a cool engine.

• Small gasoline engines produce high concentrations of carbon monoxide (CO) example: a 5 HP 4 cycle engine operation in an enclosed 100,000 cu. ft. area with only one change of air per hour is capable of providing deadly concentrations of CO in less than fifteen minutes. Five changes of air in the same area will produce noxious fumes in less than 30 minutes. Gasoline powered equipment should not be used in enclosed or partially enclosed areas. Symptoms of CO poisoning include, head-ache, nausea, weakness, dizziness, visual problems and loss of consciousness. If symptoms occur - get into fresh air and seek medical attention immediately.

- Never refuel a hot engine or an engine while it is running.
- Engines are shipped from factory without fuel/oil.



• Propane is extremely flammable and is heavier than air and tends to settle in low areas where a spark or flame could ignite gas. DO NOT start or operate this propane engine in a poorly ventilated area where leaking propane gas could accumulate and endanger safety of persons in area. If headache develops, shut off machine. Have it checked for carbon monoxide emissions by a qualified technician before using it again. To ensure personal safety, installation and repair of propane fuel supply systems must be performed only by qualified technicians. Carbon monoxide emissions from this machine are greatly increased due to a dirty combustion air cleaner.

ELECTRICAL POWERED EQUIPMENT



Extreme care must be taken when operating electric models with water present: Ensure power cord is properly grounded, is attached to a Ground-Fault-Interrupter (GFI) outlet, and is undamaged.

- Check all electrical cables - be sure connections are tight and cable is continuous and in good condition. Be sure cable is correctly rated for both the operating current and voltage of this equipment.
- Improper connection of the equipment grounding conductor can result in a risk of electric shock. Check with qualified electrician or service person if there is any doubt as to whether the outlet is properly grounded. Adhere to all local codes and ordinances.
- NOTE: In the event of a malfunction or breakdown, grounding provides a path of least resistance for the electric current to dissipate. The motor is equipped with a grounded plug and must be connected to an outlet that is properly installed and properly grounded. DO NOT modify the plug provided on the motor. If the plug does not fit the outlet have a qualified electrician install the proper receptacle.

ELECTRICAL POWERED EQUIPMENT CONTINUED

- Do not disconnect power by pulling cord. To disconnect, grasp the plug, not the cord.
- Unplug power cord at the machine when not in use and before servicing.
- Switch motor OFF before disconnecting power.
- Never use frayed, damaged, taped or under rated extension cords. Electrical shock could result in death or serious injury to the operator and damage to the equipment.
- Assure you are using the proper extension cord length.

GENERAL INSTRUCTIONS

- Equipment should only be operated by trained personnel in good physical condition and mental health (not fatigued). The operator and maintenance personnel must be physically able to handle the bulk weight and power of this equipment.
- This is a one person tool. Maintain a safe operating distance to other personnel. It is the operators' responsibility to keep other people (workers, pedestrians, bystanders, etc.) away during operation. Block off the work area in all directions with roping, safety netting, etc. Failure to do so may result in others being injured by flying debris or exposing them to harmful dust and noise.
- This equipment is intended for commercial use only.
- For the operator's safety and the safety of others, always keep all guards in place during operation.
- Never let equipment run unattended.



- Personal Protection Equipment and proper safety attire must be worn when operating this machinery. The operator must wear approved safety equipment appropriate for the job such as hard hat and safety shoes when conditions require. Hearing protection MUST be used when operational noise levels of this equipment may exceed 85db. Eye protection MUST be worn at all times.



Keep body parts, loose clothing and accessories away from moving parts. Failure to do so could result in dismemberment or death.

- Do not modify the machine.
- Stop motor/engine when adjusting or servicing this equipment. Maintain a safe operating distance from flammable materials. Sparks from the cutting-action of this machine can ignite flammable materials or vapors.



DUST WARNING



Some dust created by power sanding, sawing, grinding, drilling, and other construction activities contains chemicals known to cause cancer, birth defects, or other reproductive harm. Materials being removed can be toxic or hazardous. A breathing respirator is required to help protect the operator. Some examples of these chemicals are:

- Lead from lead-based paints.
- Crystalline silica from bricks, concrete and other masonry products. Your risk of exposure to these chemicals varies depending on how often you do this type of work. To reduce your risk: work in a well ventilated area, use a dust control system, such as an industrial-style vacuum, and wear approved personal safety equipment, such as a dust/particle respirator designed to filter out microscopic particles.
- See more on the importance of dust prevention and silica warnings at: osha.gov/silica
- More concrete and silica dust suppression training and educational materials available at edcoinc.com/silica-standards or scan the QR code on page 5.
- Written exposure plans are provided at <http://www.edcoinc.com/written-exposure-control-plans/>

PARTS LIST MANUAL

MODEL EH1500

Engine Hoist and Carrier Cart



TABLE OF CONTENTS

<u>Section</u>	<u>Page Number</u>
Safety Information	2
How To Order Replacement Parts	3
Weights and Dimensions	4, 5
Part Descriptions	6
Safety Guidelines	7
Loading/Unloading Guide	8, 9
Utilizing Hoist/ Operating Instructions	10
Maintenance Instructions	11
Illustration 1: Crane Boom and Mast	12, 13
Illustration 2: Outrigger and Hoist Frame	14, 15
Illustration 3: Carrier Cart	16, 17
Decal Sheet	18
Limited Equipment Warranty of Sale	19
STOP - Before Using This Product	20

HOW TO ORDER REPLACEMENT PARTS

- To insure product safety and reliability, always use genuine EDCO replacement parts when making repairs to the equipment.
- When calling for parts, specify the MODEL and SERIAL number of the machine, which can be found on the NAME PLATE. Keep that information in the space provided. In addition to this information, give part number, description, and quantity as listed on the parts list to your parts representative.
- Please note: Due to improvements and changes in the equipment, the illustrations shown may be different than the actual machine.

FILL IN INFORMATION BELOW

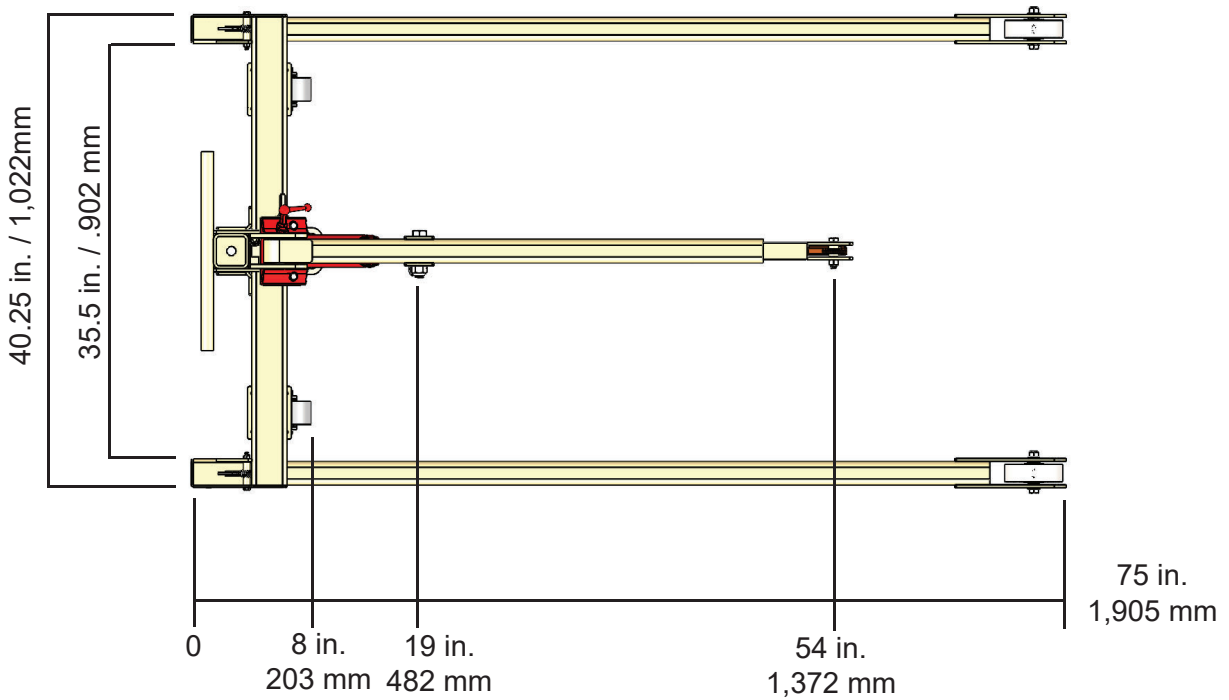
Date of Purchase _____

Model # _____

Serial # _____

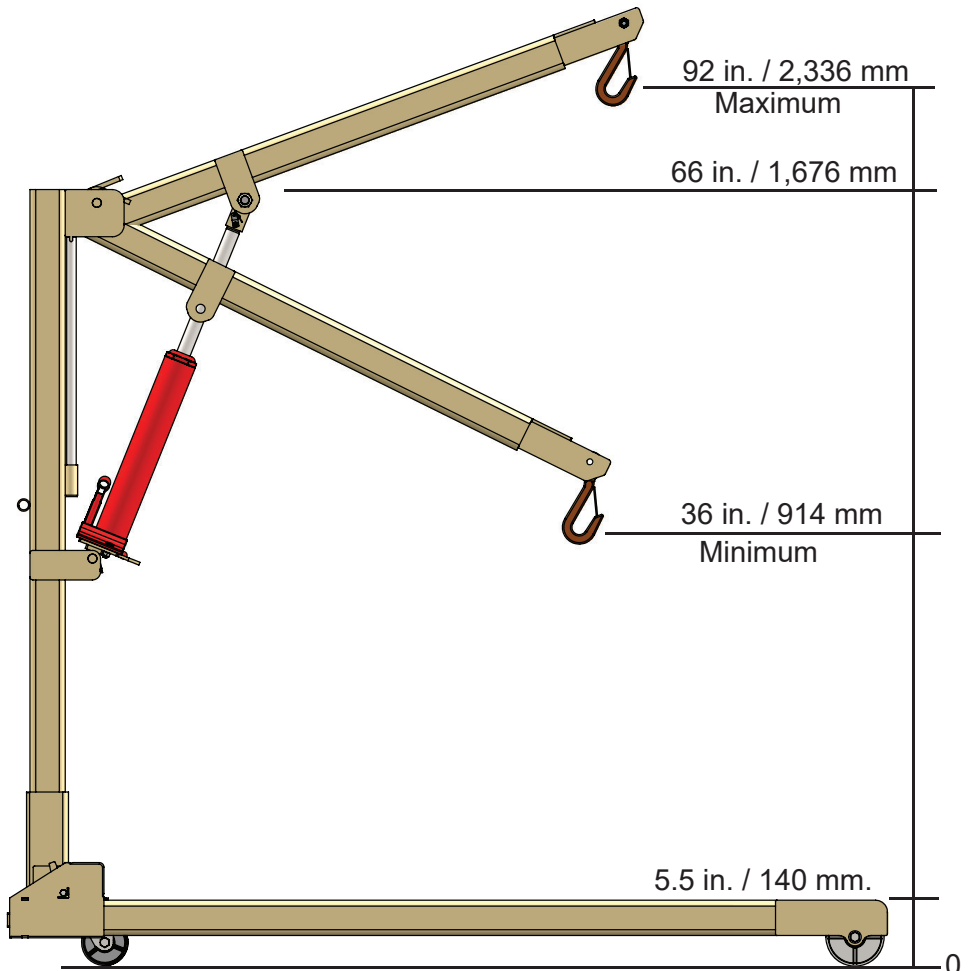
SKU # _____

DIMENSIONS AND WEIGHT

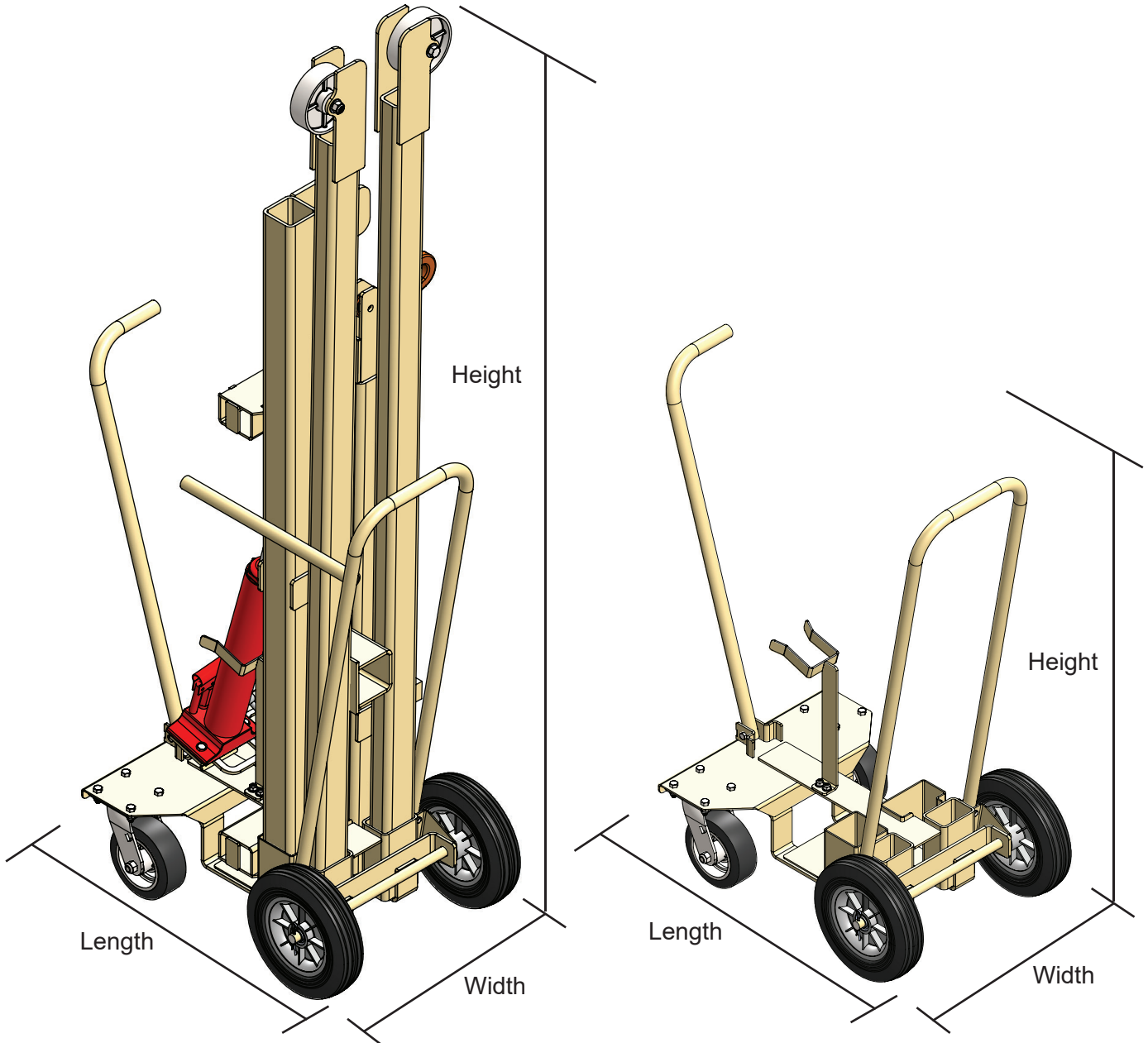


Dimensions and Weight are approximate and subject to change.

Weight	267 lb / 121 kg
--------	-----------------

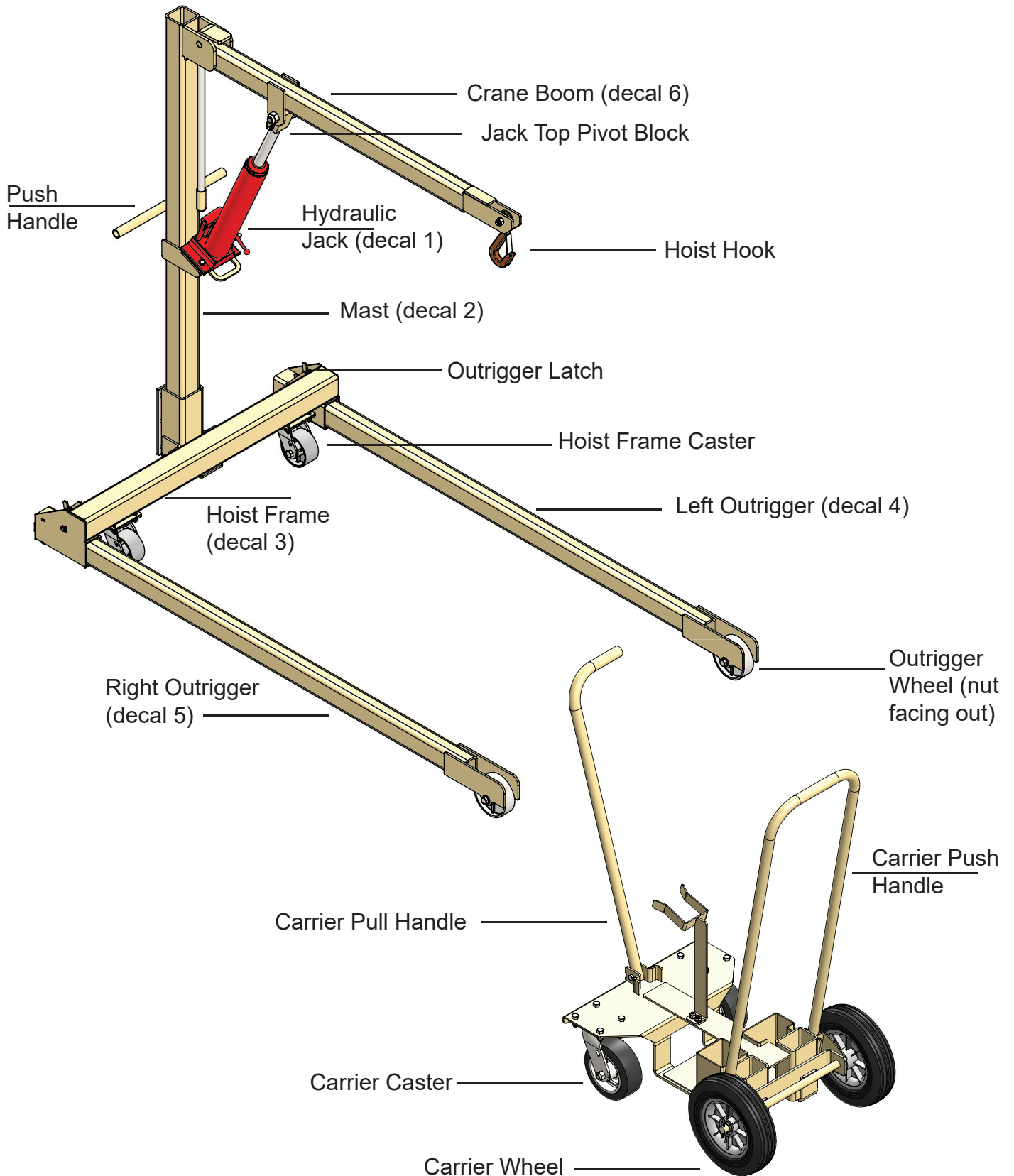


DIMENSIONS AND WEIGHT



Dimensions and Weight are approximate and subject to change.		
	Loaded Carrier	Unloaded Carrier
Length	37.5" / 953 mm	37.5" / 953 mm
Width	20" / 508 mm	20" / 508 mm
Height	77" / 1956 mm	38" / 965 mm
Weight	339 lb / 153 kg	72 lb / 33 kg

PARTS DESCRIPTIONS



**Read and understand the *Operator's Manual*
before operating this equipment.
Death or serious injury can result if this machine is used improperly.**



Safety Guidelines

Eye protection must be worn at all times when this machine is in use. Use only ANSI approved safety glasses to help prevent eye injury. Everyday eyeglasses have only impact resistant lenses; they are NOT safety glasses.

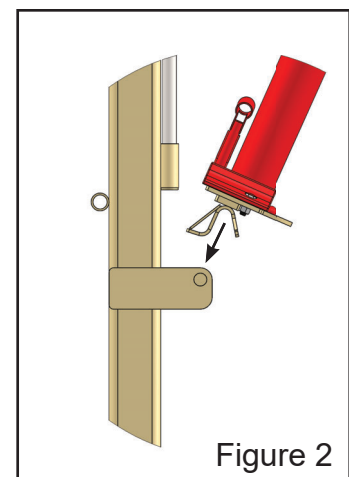
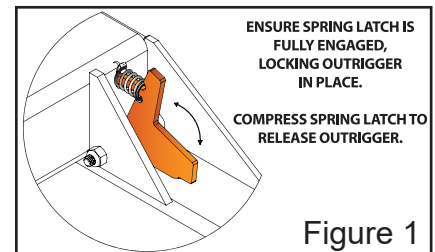
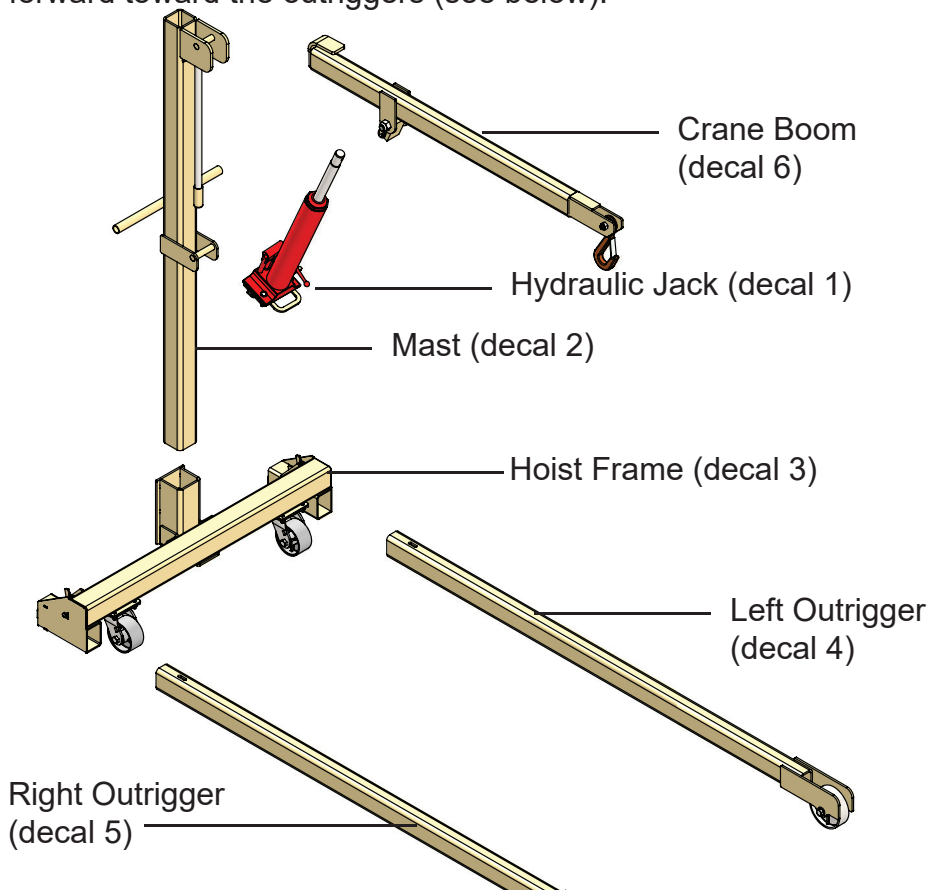
Operator must wear appropriate clothing and footwear. Do not wear loose clothing or jewelry that can get tangled or caught in moving parts. Steel toe safety shoes must be worn.

- Maintain the machine in safe operating condition with all guards/latches/hooks in place and secure, all mechanical fasteners tight, all controls in working order and the machine configured for the job application. Be sure all safety decals can be clearly read and understood. Replace damaged or missing decals immediately.
- The EDCO Engine Hoists are designed to lift up to 1500 points on a flat, horizontal firm surface. They are designed to be operated by a single informed operator from a safe position near the piece of equipment that is safe from a dropped load.
- Keep a safe operating distance to other personnel in the area and never leave the machine unattended when a load is being lifted by the engine hoist.
- Avoid unlevel surfaces and any objects protruding from firm surface when maneuvering engine hoist and engine hoist carrier with load or without load.
- Never operate this machine while under the influence of drugs, alcohol or when taking medications that impair the senses or reactions, or when excessively tired or under stress.
- Ensure load is completely secure in the hoist hook. Ensure hoist hook latch is always closed when any load is applied. Replace hook if there is any visible damage (deep nicks, broken latch, bent hook).
- Maintain wheels/casters to ensure smooth movement when maneuvering the engine hoist.
- Inspect entire engine hoist prior to every use for any visible cracks, bent components and loose hardware. If any of the mentioned is present, do not use the engine hoist until the damage has been remedied.
- Properly maintain the hydraulic jack according to the operating instructions listed on the hydraulic jack. <https://www.usjack.com/wp-content/uploads/56064-3-Ton-Bluebird-2021-1.pdf> for more info.
- This is a lifting device ONLY, the load shall be supported immediately by appropriate means.
- Do not overload, overloading can cause severe damage and/or failure of the engine hoist and its components.

INSTRUCTIONS

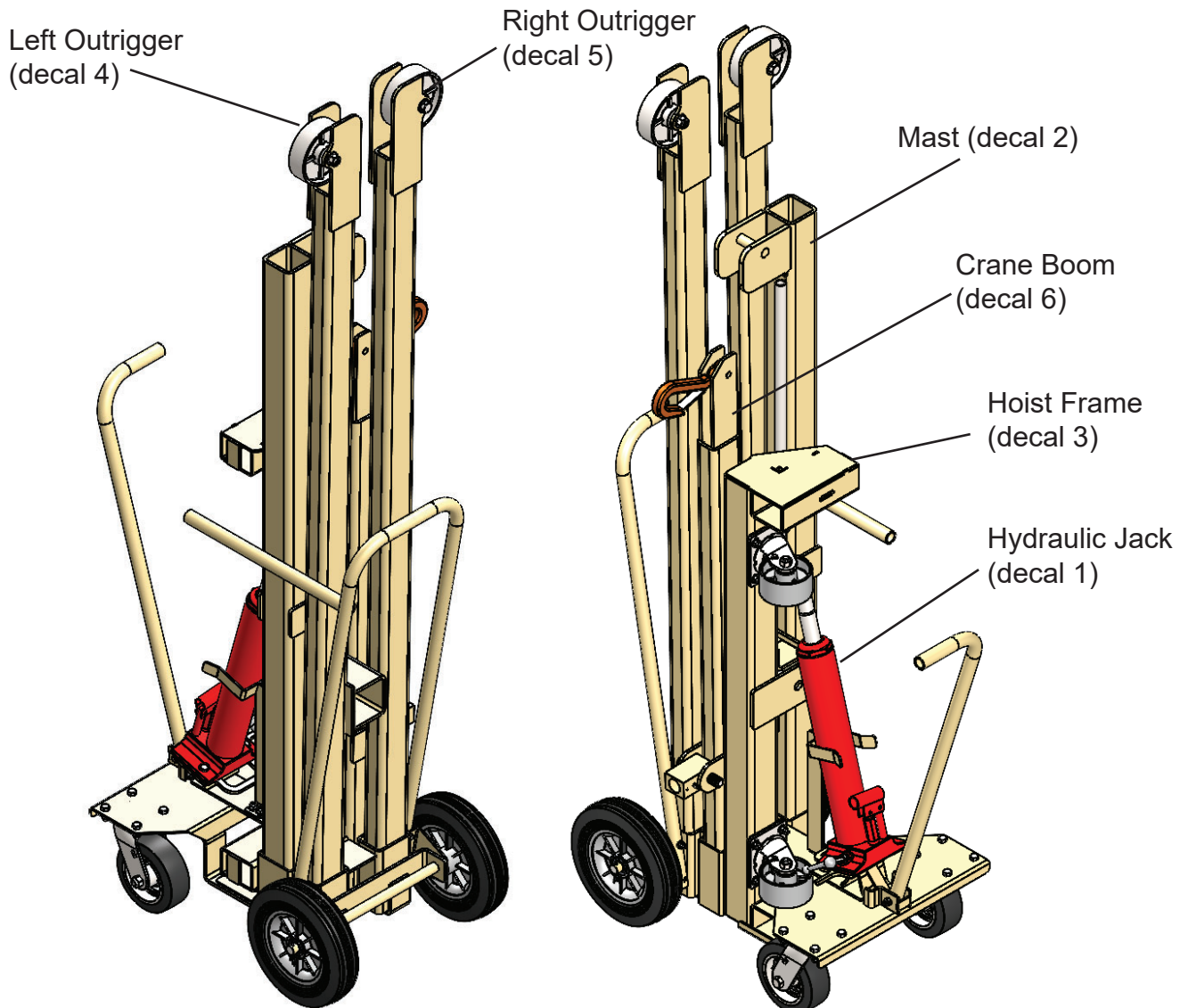
Unloading Carrier & Assembling Hoist

1. Familiarize yourself with the descriptions on page 6 of this manual. Following the sequence below will allow for ease of hoist assembly (see illustrations on facing page and below). Be certain that you are on a firm, level surface
2. Remove crane boom (decal 6) from carrier, set aside.
3. Remove right outrigger (decal 5) from the carrier right rear pocket, set aside.
4. Remove frame (decal 3) from the carrier, set aside.
5. Remove the hoist mast (decal 2) from the carrier, set aside.
6. Remove the left outrigger (decal 4) from the carrier left rear pocket, set aside.
7. Remove the jack (decal 1) from the carrier, set aside.
8. With hoist frame on firm, level surface, insert right outrigger (decal 5) in the left frame pocket if the mast vertical pocket is on the far side. The outrigger wheel bolt should have its nut facing outward, and both outriggers should be inserted into their pockets until the orange latch clicks into place. The outriggers should not be removable from the frame without manually releasing the orange latches.
9. Insert the left outrigger (decal 4) into the right frame pocket if the mast vertical pocket is on the far side. The wheel nut should be facing outward and the latch should click positively into place.
10. Insert the mast (decal 2) into the vertical pocket on the far side of the frame.
11. Place the crane boom (decal 6) over the bar support at the top of the mast, oriented as shown below with the pivot block hanging down. Rest the crane boom with the hook tab over the bar and lower the boom until it rests against the mast.
12. Link the hydraulic jack ram to the crane boom pivot block using the detent pin. Ensure detent pin is fully inserted through the pivot block. Lower hydraulic jack base over the bar support on the middle part of the mast. The carrying handle on the lower part of the hydraulic jack is to be facing forward toward the outriggers (see below).



Dismantling Hoist and Loading Carrier

1. Familiarize yourself with the descriptions on page 6 of this manual. Following the sequence below will allow for ease of hoist dismantling and loading of the carrier. Orientation of the pieces is important to note. Follow the directions below as well as the images below. Be certain that you are on a firm, level surface.
2. Ensure jack (decal 1) is completely compressed, by releasing the short jack lever on the side of the jack. Once the jack is compressed, secure the jack handle tube on the hoist mast and lift the jack out of the bar support on the mast, rest the crane boom against the mast, then remove the detent pin from the crane boom pivot block, releasing the jack ram. Set the jack aside.
3. Remove the crane boom (decal 6), set aside.
4. Remove the mast (decal 2) from the hoist frame, and load onto the carrier as oriented below.
5. Remove the left outrigger (decal 4), and load onto the carrier as oriented below.
6. Remove the right outrigger, set aside.
7. Remove the hoist frame (decal 3) and load it onto the carrier as oriented below.
7. Load the right outrigger (decal 5), onto the carrier as shown below.
8. Load the crane boom (decal 6) onto the carrier, hook uppermost, pivot block outward.
9. Load the jack (decal 1) onto the carrier as shown below.



UTILIZING HOIST, OPERATION INSTRUCTIONS

Securing load on Engine Hoist Swivel Hook



1. Always ensure the load is balanced evenly on the swivel hook, this will prevent slipping of the lifted item once lifted. An uneven load could cause the engine hoist to tip and cause severe bodily injury, possibly death, as well as property damage.
2. Ensure lifting assist items, such as, but not limited to, crane boom hooks, chains, tethers, straps, are in good working condition with NO cuts, tears, frays and are properly rated.
3. Ensure the Swivel Hook latch is completely closed before lifting any item. This will prevent lifted items from coming off the hook while lifting.
4. The Swivel Hook has the ability to rotate 360° which allows for easy maneuvering the lifted item once it is lifted.
5. Lift only from areas as specified by the vehicle, equipment manufacturer. Lifting from unapproved areas could cause property damage.

Utilizing Hydarulic Jack to lift and lower

1. To operate valve, open release valve, pump handle several times with provided jack pump handle this will release any airbound condition. Close release valve. Utilizing pump handle begin pumping slowly to ensure the load is safe to lift. Continue lifting to designated height. Then support with proper support tools.
2. To lower load, begin by slowly rotating/opening the release valve. Ensure you operate the release valve slowly to begin the lowering. Opening release valve rapidly, can cause property damage and could cause loss of load.

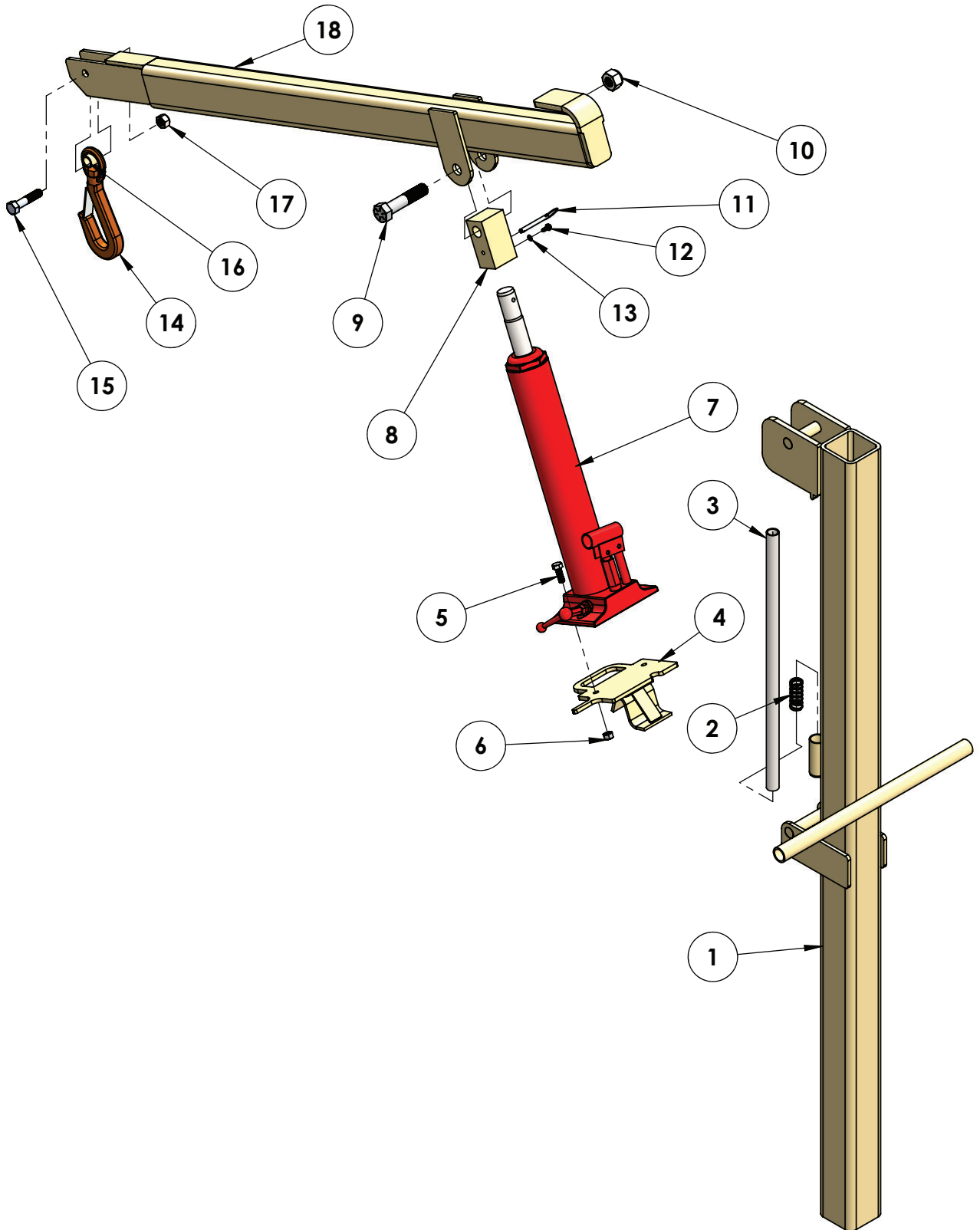
MAINTENANCE INSTRUCTIONS

Maintaning Engine Hoist and components

1. Hydarulic Jack: Refill Hydraulic Jack with recommended Jack Oil. Never use a substitute. Use only HAND JACK OIL, 5W to 10W grade 15 with ram **COMPLETELY** collapsed, fill to the bottom of the filler plug.
2. Hydraulic Jack: When storing Engine Hoist, always compress the ram of the hydraulic jack completely with the release valve closed.
3. Hydarulic Jack: Light machine oil on all moving parts periodically.
4. Engine Hoist: There are 2 casters on the engine hoist, there are 3 grease points on each caster. Grease these bearings weekly.
5. Engine Hoist: There are 2 casters on the engine hoist carrier, there 3 grease points on each of these casters. Grease these bearings weekly.
6. Engine Hoist: Inspect/Replace the engine hoist swivel hook as needed. When visible wear is present or if there are any knicks/cracks: Replace immediately.

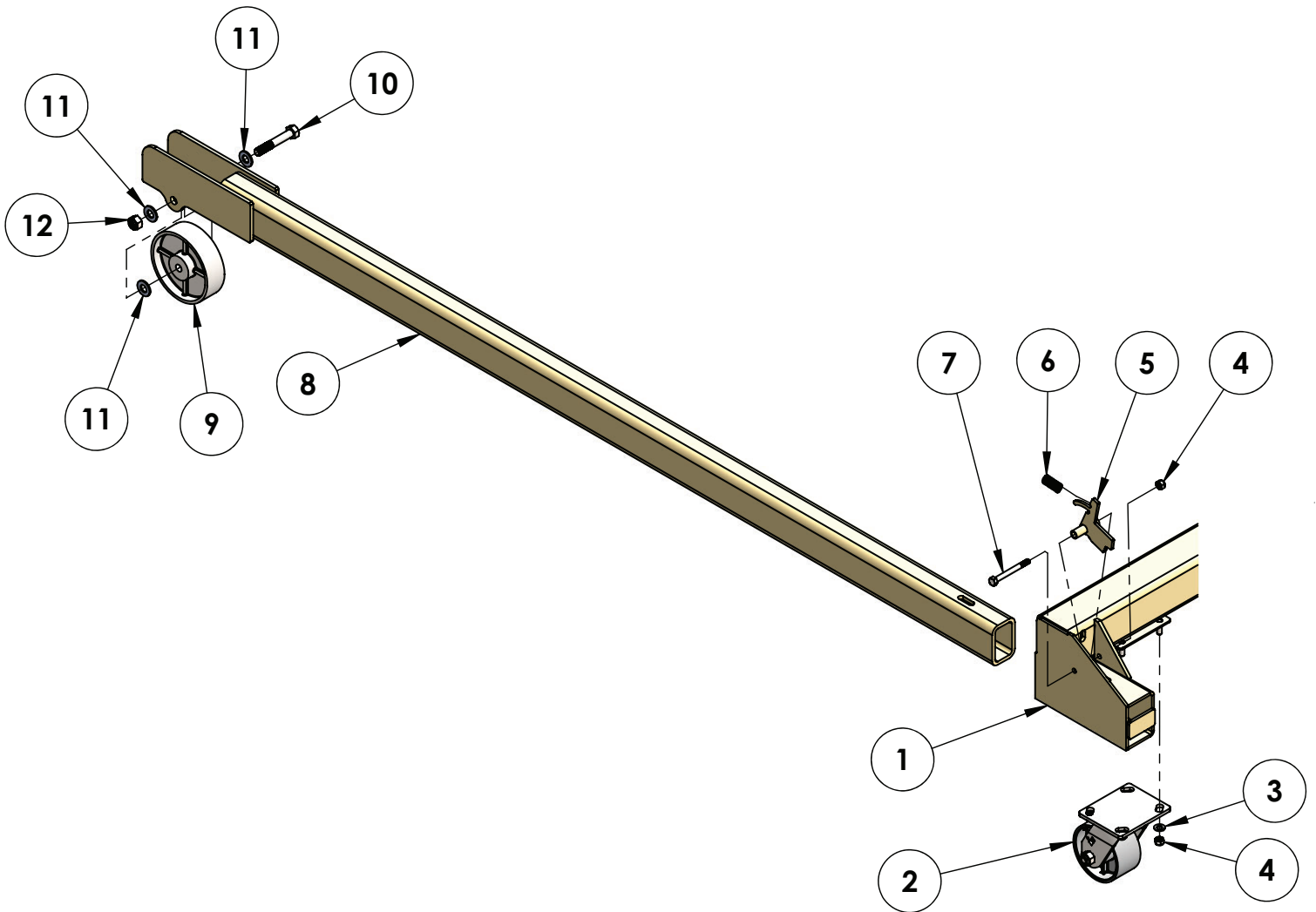
Maintenance Notes:

ILLUSTRATION 1: CRANE BOOM & MAST



PARTS LISTING - ILLUSTRATION 1: CRANE BOOM AND MAST			
Item #	Part #	Part Description	Qty
1	101241	HOIST MAST WELDMENT	1
2	101261	SPRING, COMP. .845"OD X 2"FL	1
3	101256-1	JACK, TUBE (PROVIDED WITH #7, 101256)	1
4	101244	JACK MOUNT WELDMENT	1
5	10806	SCREW, CAP 5/16-18 X 1	2
6	10151	NUT, HEX NYLON LOCK 5/16-18 ZINC	2
7	101256	JACK, 3 TON HYDRAULIC	1
8	101245	JACK TOP PIVOT BLOCK	1
9	101257	SCREW, CAP 3/4-16 X 3-1/2 GR8	1
10	101258	NUT, HEX NYLON 3/4-16 ZINC	1
11	101260	PIN, DETENT RING 1/4 X 2 EL W/ LANYARD	1
12	10877	SCREW, CAP STSHW 10-24 X 1/2	1
13	10831	WASHER, LOCK, INT. TOOTH #10	1
14	101251	HOOK, HOIST 1 TON	1
15	101259	SCREW, CAP 1/2-13 X 2-1/4 GR8	1
16	101264	CRANE BOOM HOOK TUBE	1
17	10155	NUT, HEX NYLON LOCK 1/2-13 ZINC	1
18	101242	CRANE BOOM WELDMENT, 1500	1

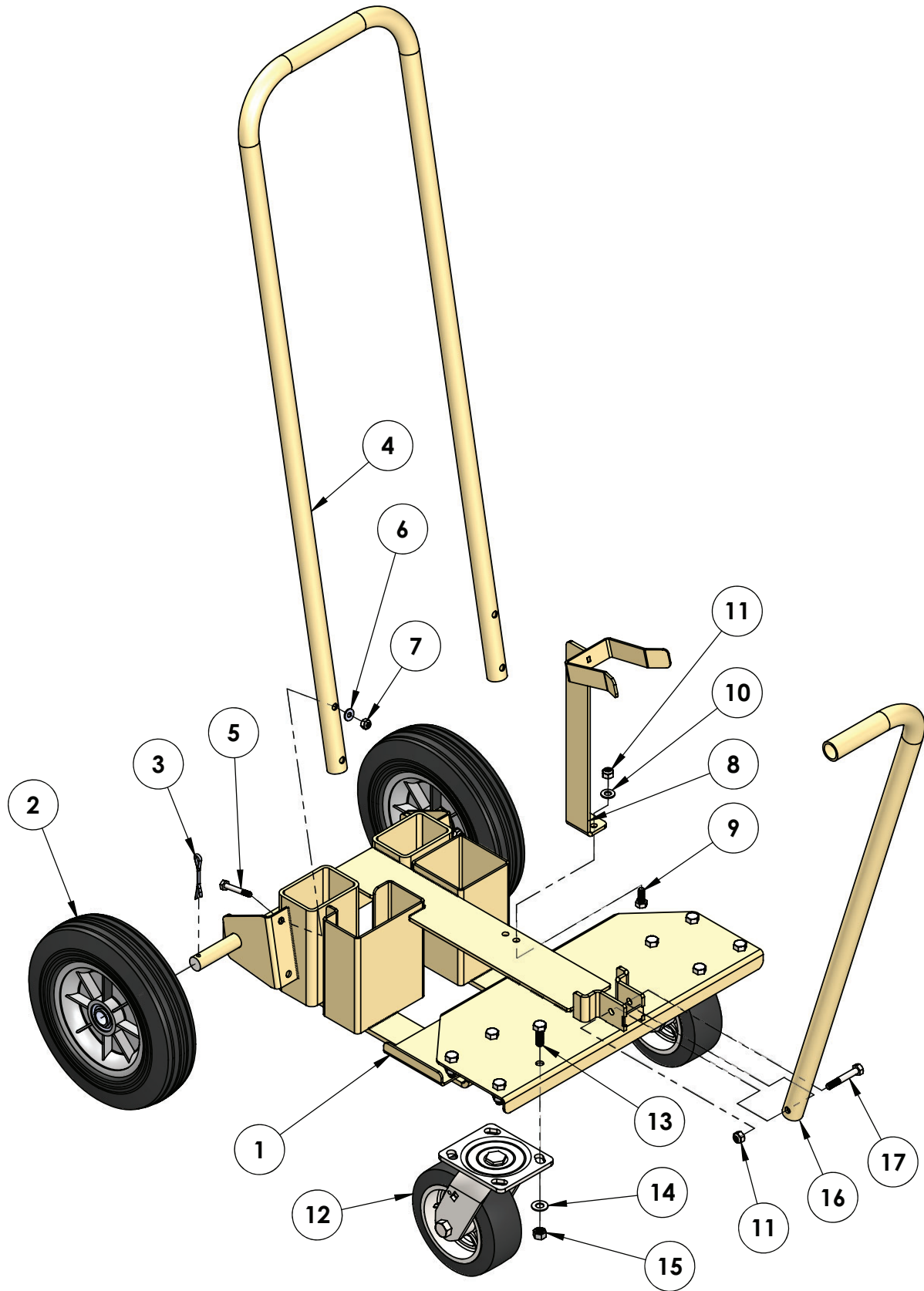
ILLUSTRATION 2: OUTRIGGER AND HOIST FRAME



PARTS LISTING - ILLUSTRATION 2: OUTRIGGER AND HOIST FRAME			
Item #	Part #	Part Description	Qty
1	101238	HOIST FRAME WELDMENT	1
2	101253	WHEEL, CASTER 4X2	2
3	10213	WASHER, FLAT 5/16 SAE ZINC	8
4	10151	NUT, HEX NYLON LOCK 5/16-18 ZINC	10
5	101239	OUTRIGGER LATCH WELDMENT	2
6	101262	SPRING, COMP. .60"OD X 1.25"FL	2
7	11734	SCREW, CAP 5/16-18 X 3	2
8	101240	OUTRIGGER WELDMENT	2
9	101254	WHEEL, CAST IRON, 5X1.5	2
10	10324	SCREW, CAP 1/2-13 X 3-1/2	2
11	10312	WASHER, FLAT 1/2 SAE ZINC	8
12	10155	NUT, HEX NYLON LOCK 1/2-13 ZINC	2

ILLUSTRATION 3: CARRIER CART

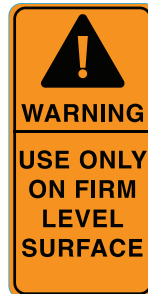
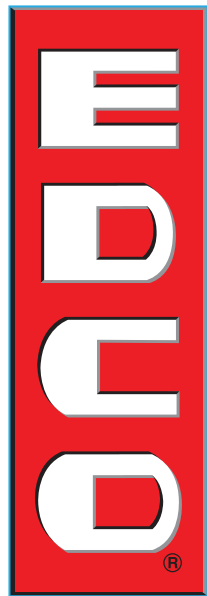
PART #: 99501



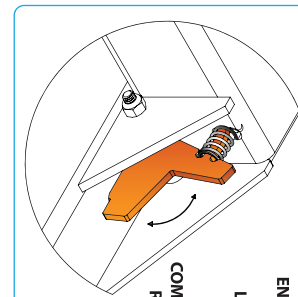
PARTS LISTING - ILLUSTRATION 3: CARRIER CART			
Item #	Part #	Part Description	Qty
1	101246	CARRIER WELDMENT	1
2	28003	WHEEL 10 X 2-1/4 X 3/4"BRG	2
3	10306	PIN, COTTER 3/16 X 1-1/2	2
4	101248	CARRIER HANDLEBAR	1
5	10204	SCREW, CAP 5/16-18 X 1-3/4	4
6	10213	WASHER, FLAT 5/16 SAE ZINC	4
7	10151	NUT, HEX NYLON LOCK 5/16-18 ZINC	4
8	101249	CARRIER JACK SUPPORT WELDMENT	1
9	10053	SCREW, CAP 5/16-18 X 3/4	2
10	10213	WASHER, FLAT 5/16 SAE ZINC	2
11	10151	NUT, HEX NYLON LOCK 5/16-18 ZINC	3
12	101252	WHEEL, CASTER 6X2, LOCKING	2
13	10055	SCREW, CAP 3/8-16 X 1	8
14	10025	WASHER, FLAT 3/8 SAE ZINC	8
15	10156	NUT, HEX NYLON LOCK 3/8-16 ZINC	8
16	101268	CARRIER L HANDLE WELDMENT	1
17	10380	SCREW, CAP 5/16-18 X 2	1

DECAL SHEET

EDCO EH1200 & EH1500 P/N 92242 Rev A



WARNING: Cancer and Reproductive Harm. For more information, go to www.P65Warnings.ca.gov



ENSURE SPRING LATCH IS FULLY ENGAGED, LOCKING OUTRIGGER IN PLACE. COMPRESS SPRING LATCH TO RELEASE OUTRIGGER.

LIMITED EQUIPMENT WARRANTY OF SALE

Equipment Development Company, Inc. herein referred to as EDCO (Seller) warrants that each new unit manufactured by EDCO to be free from defects in material and workmanship in normal use and service for a period of (1) one year (except for the cutter drum assembly on all model concrete/asphalt planers AND the chisel head assembly on all model ALR's & ALR-BS in which case the warranty period shall be 90 days) from date of shipment to the original retail or equipment rental center owner.

Accessories or equipment furnished and installed on the product by EDCO but manufactured by others, including, but not limited to engines, motors, electrical components, transmissions etc., shall carry the accessory manufacturers own warranty.

EDCO will, at its option, repair or replace, at the EDCO factory or at a point designated by EDCO, any part which shall appear to the satisfaction of EDCO inspection to have been defective in material or workmanship.

EDCO reserves the right to modify, alter and improve any part or parts without incurring any obligation to replace any part or parts previously sold without such modified, altered or improved part or parts.

This warranty is in lieu of and excludes all other warranties, expressed, implied, statutory, or otherwise created under applicable law including, but not limited to the warranty of merchantability and the warranty of fitness for a particular purpose in no event shall seller or the manufacturer of the product be liable for special, incidental, or consequential damages, including loss of profits, whether or not caused by or resulting from the negligence of seller and/or the manufacturer of the product unless specifically provided herein. In addition, this warranty shall not apply to any products or portions thereof which have been subjected to abuse, misuse, improper installation, maintenance, or operation, electrical failure or abnormal conditions and to products which have been tampered with, altered, modified, repaired, reworked by anyone not approved by seller or used in any manner inconsistent with the provisions of the above or any instructions or specifications provided with or for the product.

TERMS AND CONDITIONS

(NOT APPLICABLE TO SALES THROUGH AUTHORIZED DISTRIBUTION)

FORCE MAJEURE

Seller's obligation hereunder are subject to, and Seller shall not be held responsible for, any delay or failure to make delivery of all or any part of the Product due to labor difficulties, fires, casualties, accidents, acts of the elements, acts of God, transportation difficulties, delays by a common carrier, inability to obtain Product, materials or components or qualified labor sufficient to timely perform part of or all of the obligations contained in these terms and conditions, governmental regulations or actions, strikes, damage to or destruction in whole or part of manufacturing plant, riots, terrorist attacks or incidents, civil commotions, warlike conditions, flood, tidal waves, typhoon, hurricane, earthquake, lightning, explosion or any other causes, contingencies or circumstances within or without the United States not subject to the Seller's control which prevent or hinder the manufacture or delivery of the Products or make the fulfillment of these terms and conditions impracticable. In the event of the occurrence of any of the foregoing, at the option of Seller, Seller shall be excused from the performance under these Terms and Conditions, or the performance of the Seller shall be correspondingly extended.

This document sets forth the terms and conditions pursuant to which the purchaser ("Purchaser") will purchase and Equipment Development Co. Inc. ("Seller") will sell the products, accessories, attachments (collectively the Products ") ordered by the Purchaser. These terms and conditions shall govern and apply to the sale of Seller's Products to Purchaser, regardless of any terms and conditions appearing on any purchase order or other forms submitted by Purchaser to Seller, or the inconsistency of any terms therein and herein.

1. PRICE

All prices set forth on any purchase order or other document are F.O.B. Sellers facility or distribution point, as may be determined by Seller (F.O.B. Point). All prices are exclusive of any and all taxes, including, but not limited to, excise, sales, use, property or transportation taxes related to the sale or use of the Products, now or hereafter imposed, together with all penalties and expenses. Purchaser shall be responsible for collecting and/or paying any and all such taxes, whether or not they are stated in any invoice for the Products. Unless otherwise specified herein, all prices are exclusive of inland transportation, freight, insurance and other costs and expenses relating to the shipment of the Products from the F.O.B. point to Purchaser's facility. Any prepayment by Seller of freight insurance and other costs shall be for the account of Purchaser and shall be repaid to Seller.

2. PAYMENT TERMS

Payment terms are as follows. 2% 10 days (to approved and qualified accounts). Net 30 days. This is a cash discount for invoices paid within 10 days after the invoice date, regardless of date of receipt of shipment. This is not a trade discount and will not be granted to accounts that do not adhere to stated terms.

*All past due accounts are subject to a late payment fee of 1.5% per month or a maximum allowed by law if different, along with the expenses incidental to collection including reasonable attorney's fees and costs.

*Seller reserves the right to hold shipments against past due accounts.

*Seller reserves the right to alter payment terms.

3. FREIGHT TERMS

All shipments will be made F.O.B. shipping point as designated in these Terms and Conditions, and title shall pass at the F.O.B. point. Delivery to the initial common carrier shall constitute delivery to the Purchaser. Any claims for loss or damage during shipment are to be filed with carrier by the Purchaser. Seller will not assume responsibility for the performance of the carrier.

Back orders will be shipped in the most practical fashion with charges consistent with our freight policy established with the original order. UPS, FED EX, MAIL or shipments by other couriers are subject to the same terms and conditions as outlined in paragraph #3 "Freight Terms".

4. DELIVERY, DAMAGES, SHORTAGES

Seller shall use reasonable efforts to attempt to cause the Products to be delivered as provided for in these Terms & Conditions. Delivery to the initial common carrier shall constitute the delivery to the Purchaser. Seller's responsibility, in so far as transportation risks are concerned ceases upon the delivery of the Products in good condition to such carrier at the F.O.B. point and all the Products shall be shipped at the Purchaser's risk. Seller shall not be responsible or liable for any loss of income and/or profits, or incidental, special, consequential damages resulting from Seller's delayed performance in shipment and delivery.

5. RETURN OF DEFECTIVE PRODUCTS

Defective or failed material shall be held at the Purchaser's premises until authorization has been granted by Seller to return or dispose of Products. Products that are to be returned for final inspection must be returned Freight Prepaid in the most economical way. Credit will be issued for material found to be defective upon Seller's inspection based on prices at time of purchase.

6. PRODUCTS ORDERED IN ERROR

Products may be returned, provided that claim is made and Seller is notified within 7 days of receipt of Products, and the Products are in original buyer's possession not more than 30 days prior to return, subject to Seller's approval. If Products are accepted for return, they must be Freight Prepaid and buyer will be charged a minimum of 15% restocking charge, plus a charge back for outbound freight charges if the original order was shipped prepaid. Returns are not accepted for any Products that are specifically manufactured to meet the buyer's requirement of either specifications or quantity.

AGREEMENTS

These Terms and Conditions constitute the entire agreement between Seller and Purchaser as it relates to terms and conditions of sale, and supersedes any and all prior oral or written agreements, correspondence, quotations or understandings heretofore in force between the parties relating to the subject matter hereof. There are no agreements between Seller and Purchaser with respect to the Product herein except those specifically set forth in and made part of these terms and conditions. Any additional terms, conditions and/or prices are rejected by Seller.

These terms and conditions may be modified, cancelled or rescinded only by a written agreement of both parties executed by their duly authorized agents.

USE ONLY GENUINE EDCO PARTS & ACCESSORIES

For your own safety, the safety of others and the life of your machine.

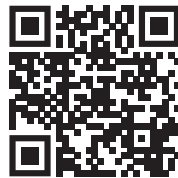
SUBMIT ALL WARRANTY CLAIMS AT:

edcoinc.com/customer-support/warranty-claim-form/



BEFORE USING THIS PRODUCT

Have You Used EDCO's Online Customer Support??



Scan This QRC or Visit
www.edcoinc.com/customer-support



READ: **EDCO Owner's Manuals and Parts Listings** share basic information and parts of each product. Download and print them whenever needed.



WATCH: **EDCO Product Training Videos** show how to use products, install tooling, and perform basic maintenance.



Example Only

FIND: Somewhere on this product is an **EDCO QRC Training Decal**. Scanning this code provides owner's information, videos, and other training content anywhere/anytime on your mobile device.



CONCRETE KNOWLEDGE

JOIN: **EDCOed.com** is a free, 24-hour training space. Each certification track focuses on a specific EDCO product group. The information in these tracks help businesses be successful with those products.

EDCO is always updating online training / information so you always have the most recent content.

Also see Operator's Safety & Limited Warranty Manual

Equipment Development Co., Inc. • 800.638.3326 • techsupport@edcoinc.com